

PRM-ECON SYSTEM



House Appliance



Garden



Office Appliance



Storage



PRM-ECON SYSTEM is the general purpose system that is developed to offer market competitiveness with the good quality and the high performances to cover a wide range application.

PRM-ECON SYSTEM 通用系统, 品质优良, 性能卓越, 竞争力强, 应用最为广泛。

Main Features

- Practical design wide application on general resin products.
- Simple method assembly.
- Convenient maintenance.
- Gate size and the nozzle's length can be customized.
- "T"-Heater enhances the heat transferring to keep temperature stable.

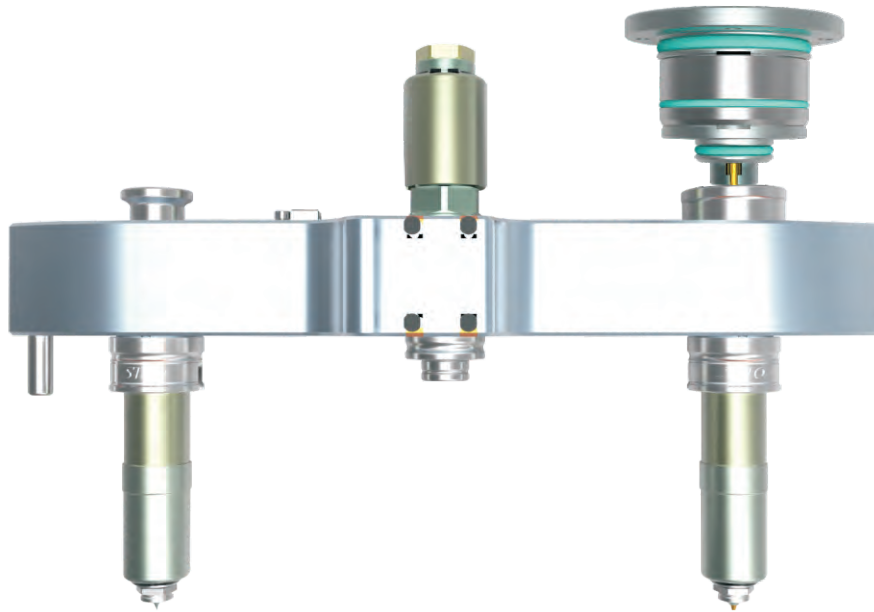
实用型设计, 适用范围普遍
 组装方便快捷
 维护简单
 客户定制热嘴长度和浇口大小
 采用T-HEATER, 温度稳定性更好。

Main Solutions

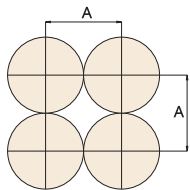
- Economic open & valve system with four different runner sizes for the application.
- Fast delivery lead time.
- Standard parts for the quick replacement.
- Easier technical solution for the application.

4种不同的流道尺寸设计, 开放和
 针阀可供选择, 经济实惠
 交期短
 标准配件可快速更换
 应用条件易满足

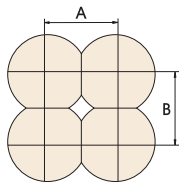
PRM-ECON SYSTEM



NOZZLE DIMENSIONS 热嘴尺寸					
MODEL	SIZE	CHANNEL DIA		GATE	
		OPEN	VALVE	CC,GC,TC,CL	VV,VS,VL,VW
		Unit:mm			
PRM	18	8	8	1.2/1.5	1.5/2.0
	25	10	10	1.2/1.5	1.5/2.0/2.5
	35	12	12	1.5/2.0/2.5	2.5/3.0/4.0
	45	16	16/18	2.0/2.5/3.0	4.0/5.0/6.0/7.0



Square Space Between (Open System)



Rectangle Space Between (Valve System)

Types	Gate Minimum Space (A/B)	Unit: mm
	Open Square(AB)	
PRM 18	38/38	
PRM 25	48/48	
PRM 35	60/60	
PRM 45	70/70	

Cylinder	Gate Minimum Space (A/B)		
	Between N/L & Nozzle	Between Nozzles	
		Valve Square	Valve Rectangle
VCP40	56	74/74	54/54
VCP50	86	84/84	64/64
VCP60	98	94/94	74/74
VCP70	114	104/104	86/86

